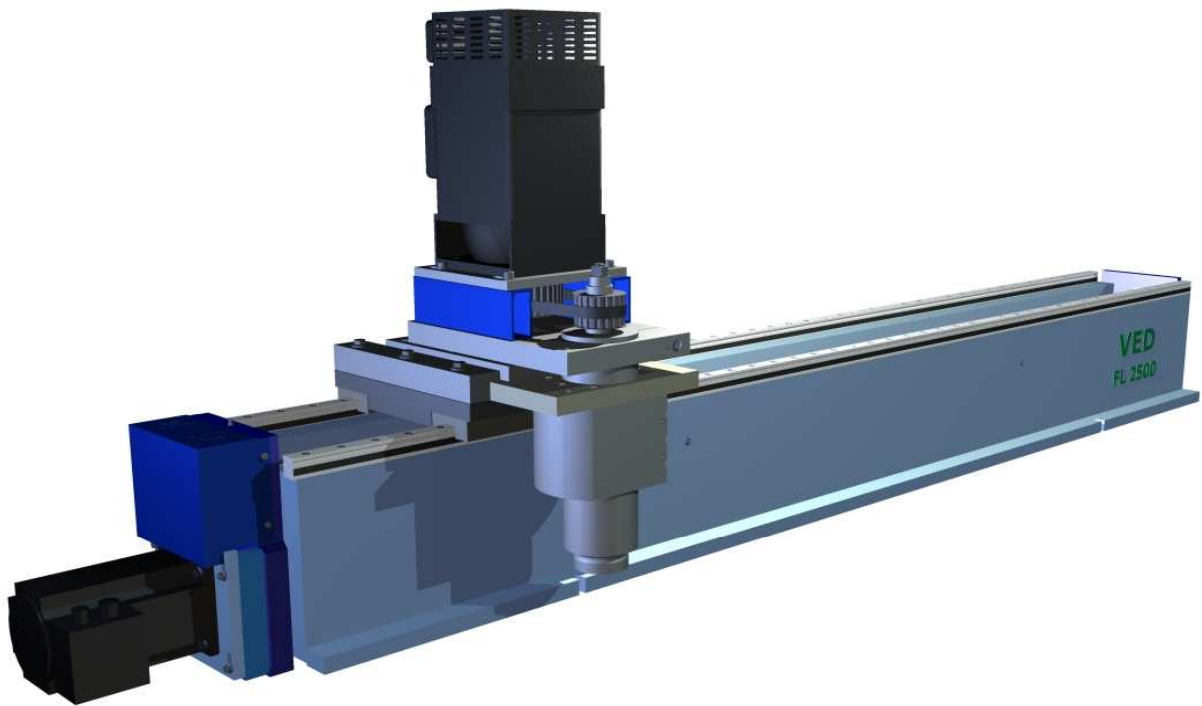




*Solutions for on-site machining*

---

## FL 2500 Milling Portable Machine



Versatile, precise and powerful 3 axis portable milling machine for on site applications. Designed and built for on site machining of pumps, compressors, electric motors bases and surfaces on which flatness restoration is required.

Heavy duty roller guide

Large diameter ball screw

ISO50 DIN 2080 spindle

Robust welded carbon steel structure

Ecellent rigidity

---

**Vetroresina Engineering Development S.r.l.**

Via Blanco, 2 - 96010 Priolo (SR)

Tel. +39 0931 776.111 - Fax +39 0931 769.181

[info@ved.it](mailto:info@ved.it)

[www.ved.it](http://www.ved.it)

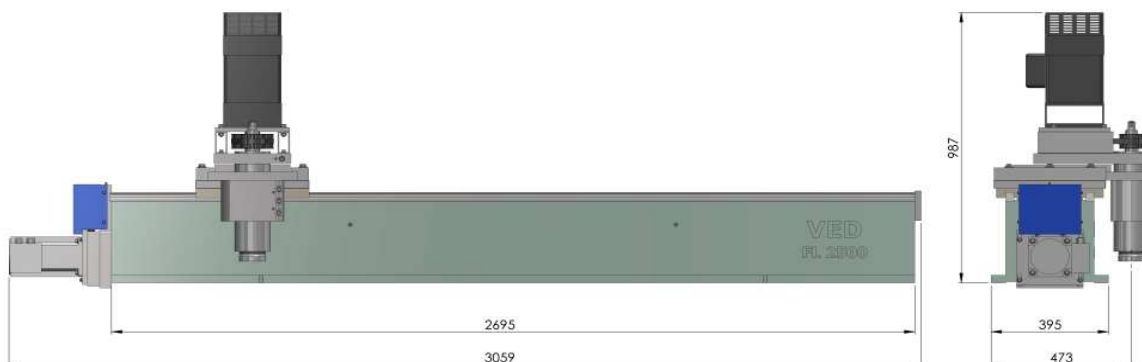


## Solutions for on-site machining

Range		
Maximum longitudinal stroke	2280	90"
Maximum traversal stroke	200 mm	8"
Maximum vertical stroke	75 mm	3"
Maximum torque	650 N·m	479 Ft·lbs
Cutting feed rate	1÷1000 mm/min	0,33÷3,3 Ft/min
Rapid feed rate	10 m/min	32,8 Ft/min
RPM	Min: 20	Max: 2000

Weights and Dimensions		
Machine weight	1210 kg	2668 lbs
Machine dimensions	300x990x3060 mm	11,8x39,0x120,5 in
Power Supply & Motion Control Cabinet weight	220 kg	485 lbs
Power Supply & Motion Control Cabinet dimensions	500x1300x1100 mm	19,7x51,2x43,3 in
Shipping weight	1450 kg	3197 lbs
Shipping dimensions	800x1100x3100 mm	31,5x43,3x122,1 in

Power	
Europe	380 Volt, 3 phase, 50-60 Hz
USA	480/400 Volt, 3 phase, 50-60 Hz



The machine is supplied complete with toolkit, CE certificate, Packing List, Manual, Wooden shipping case.

**Vetroresina Engineering Development S.r.l.**

Via Bianco, 2 - 96010 Priolo (SR)

Tel. +39 0931 776.111 - Fax +39 0931 769.181

[info@ved.it](mailto:info@ved.it)

[www.ved.it](http://www.ved.it)