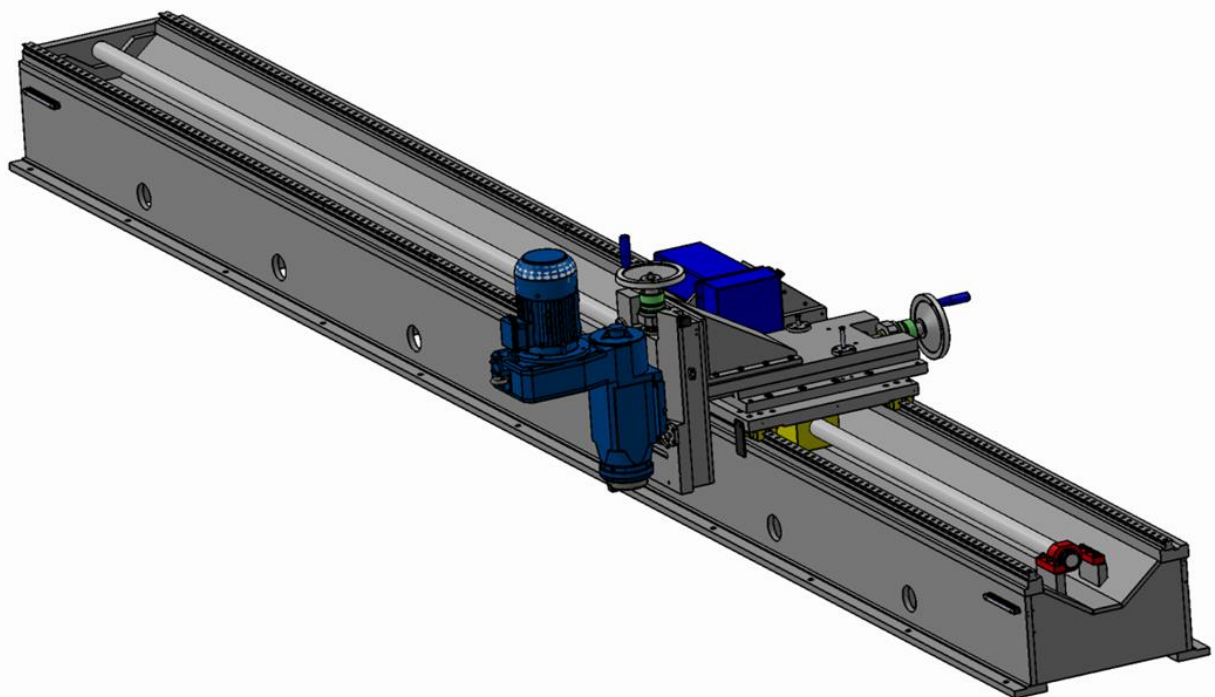


FL6000 Milling Portable Machine

Solutions for on-site machining

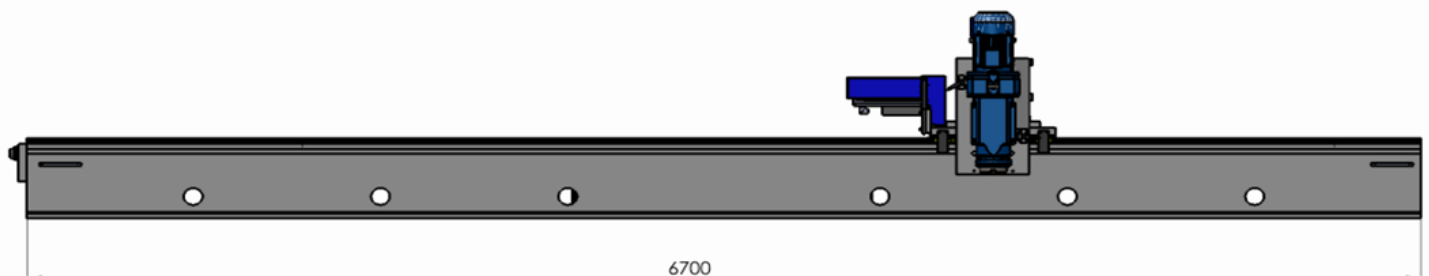
Versatile, precise and powerful 3 axis portable milling machine for on site applications. Designed and built for on site machining of large pumps, compressors, electric motors bases and surfaces on which flatness restoration is required.



- ✓ Heavy duty roller guide
- ✓ Large diameter ball screw
- ✓ ISO50 DIN 2080 spindle
- ✓ Robust welded carbon steel structure
- ✓ Excellent rigidity

Range		
Maximum longitudinal stroke	6000 mm	236"
Maximum vertical stroke	100 mm	4"
Maximum transversal stroke	300 mm	12"
Max cutter diameter	250 mm	10"
Maximum torque	950 N·m	700 Ft·lbs
Cutting feed rate	1÷1000 mm/min	0,33÷3,3 Ft/min
Rapid feed rate	10 m/min	32,8 Ft/min
RPM	Min: 20	Max: 2000
Weights and Dimensions		
Machine weight	3000 kg	6613 lbs
Machine dimensions	6700x700x900 mm	264x27.5x35.4 in
Power Supply & Motion Control Cabinet weight	210 kg	463 lbs
Power Supply & Motion Control Cabinet dimensions	500x1300x1100 mm	19.7x51.2x43.3 in
Shipping weight	3200 kg	7055 lbs
Shipping dimensions	7000x1200x1000 mm	275x47.2x39.4 in
Power		
Europe	380 Volt, 3 phase, 50-60 Hz	
USA	480/400 Volt, 3 phase, 50-60 Hz	

EUREKA FL6000 V.2020-01.docx



The machine is supplied complete with toolkit, CE certificate, Packing List, Manual, Wooden shipping case.