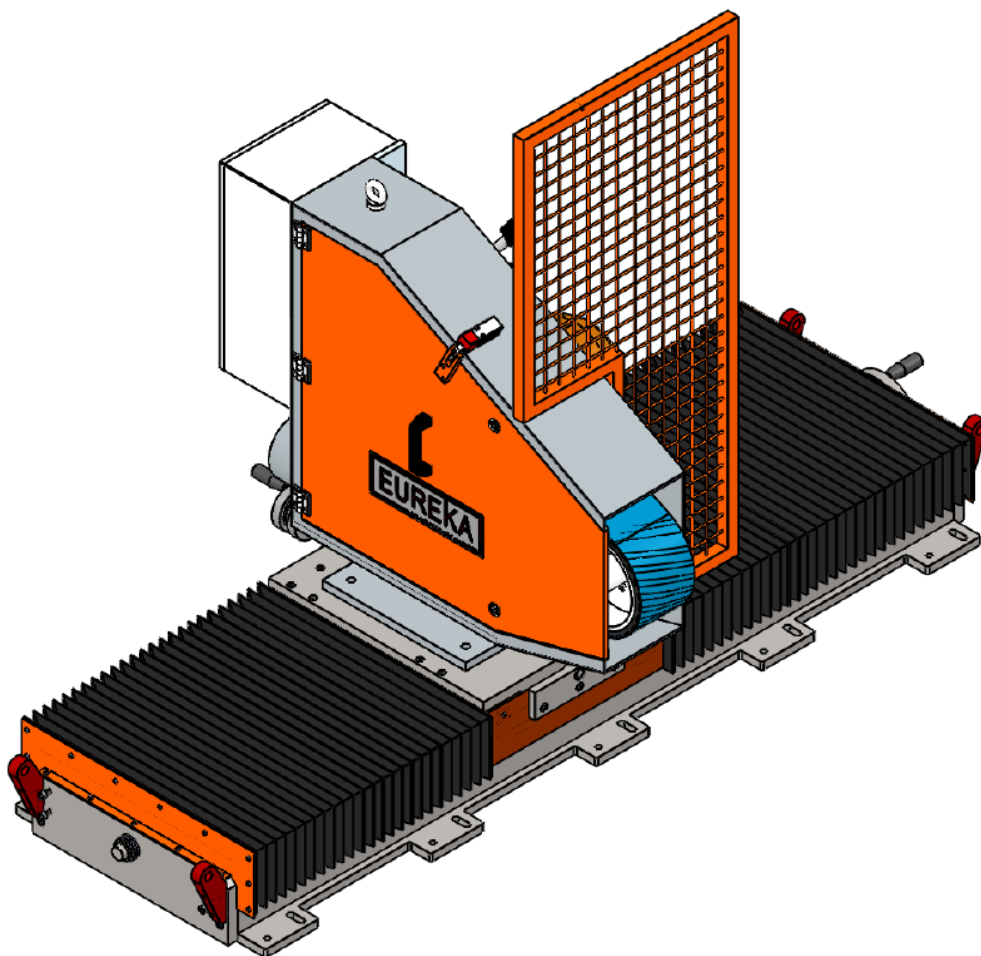


SMF1000 Kiln Roller Grinding Machine

Solutions for on-site machining

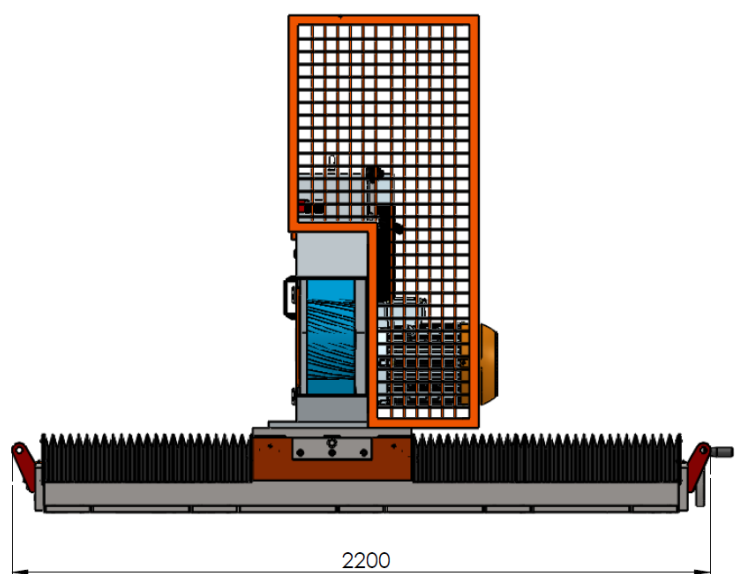
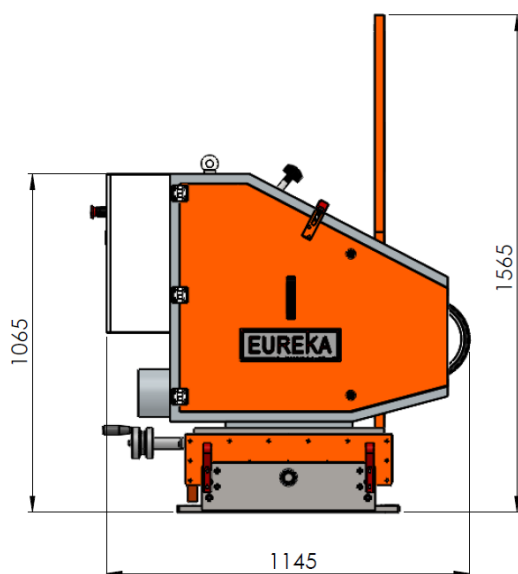
Portable belt grinding machine for onsite kiln roller restoration. Built for heavy duty applications at cement mills, chemical plants, steel mills, sugar plants and mining industry.



- ✓ Heavy load ball type linear guideways
- ✓ Large and strong abrasive belt
- ✓ Pneumatic cross feed control system
- ✓ Heavy duty welded carbon steel structure
- ✓ Excellent rigidity

EUREKA SMF1000 V.2020-02

Range		
Maximum cross stroke	1450 mm	57"
Belt dimensions	150x2500 mm	6x98 in
Contact wheel diameter	250 mm	10"
Rated motor power	8 kW	10.72 Hp
Cross feed rate	1÷100 mm/min	0.0032÷0.32 ft/min
Belt speed at contact	30 m/s	98 Ft/s
Kiln roller maximum speed	25 m/min	82 Ft/min
Weights and Dimensions		
Machine weight	1030 kg	2270 lbs
Machine dimensions	2200x1145x1087 mm	88.6x45.1x42. in
Shipping weight	1300 kg	2866 lbs
Shipping dimensions	2300x1300x1200 mm	90.1x51.2x47.2 in
Power		
Europe	380 Volt, 3 phase, 50-60 Hz	
USA	480/400 Volt, 3 phase, 50-60 Hz	
Air Consumption @ 8 bar (116 psi)	1200 l/min (42 ft ³ /min)	



The machine is supplied complete with toolkit, CE certificate, Packing List, Manual, Wooden shipping case.

EUREKA SMF1000 V.2020-02