

TA400-500 Shaft Turning Machine

Solutions for on-site machining

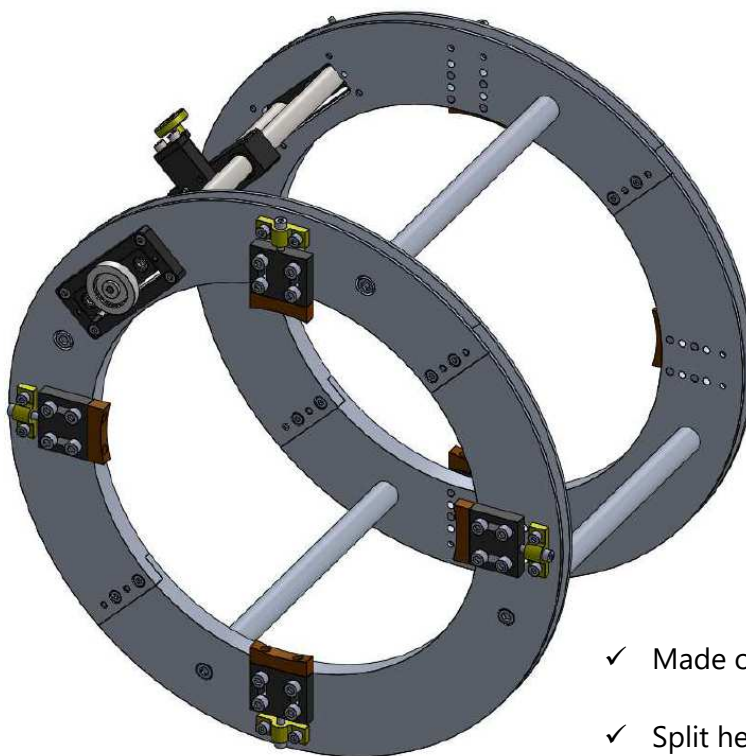
Modular portable shaft turning machine designed and manufactured to restore on site damaged shaft sections.

Made of aluminium alloy, it is light and resistant.

Split flanges allow to install and use the machine also on intermediate sections of shafts and not only at the end.

The linear guide is independent and adjustable for quick and easy alignment. The double belt drive is reliable, steady and safe.

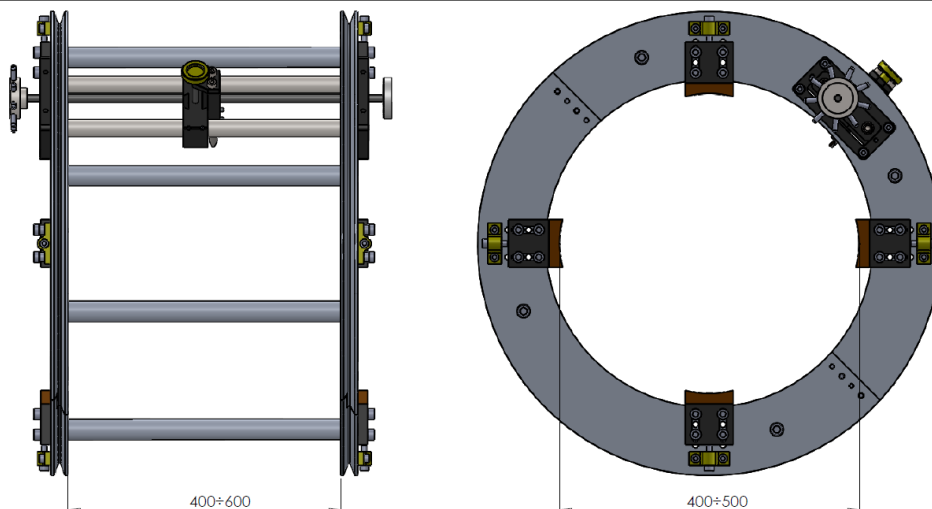
Power and transmission system is not included.



- ✓ Made of aluminium alloy
- ✓ Split head flanges
- ✓ Adjustable linear guide
- ✓ V-belt drive system
- ✓ Lightweight and sturdy

EUREKA TA400-500 V.2020-01

Range		
Minimum shaft diameter	400 mm	15.8 inches
Maximum shaft diameter	500 mm	19.6 inches
Maximum turning length	600 mm	23.6 inches
Rotation speed	10÷50 RPM	10÷50 RPM
Feed rate	0,2÷0,5 mm/rev	0.008÷0.019 in/rev
Weights and Dimensions		
Machine weight (TA200-250 / TA350-400)	56 / 84 kg	123 / 185 lbs
Minimum machine dimensions (TA200-250)	Ø 630 x 500 mm	Ø 24.8 x 19.6 inches
Maximum machine dimensions (TA350-400)	Ø 680 x 700 mm	Ø 26.7 x 27.6 inches
Shipping weight	280 kg	618 lbs
Shipping dimensions	1000x900x700 mm	39x35x28 inches
Power		
Transmission	SPZ V-belts	
Power and drive system (not included)	MT400-500	



The machine is supplied complete with toolkit, CE certificate, Packing List, Manual, Wooden shipping case.

EUREKA TA400-500 V.2020-01