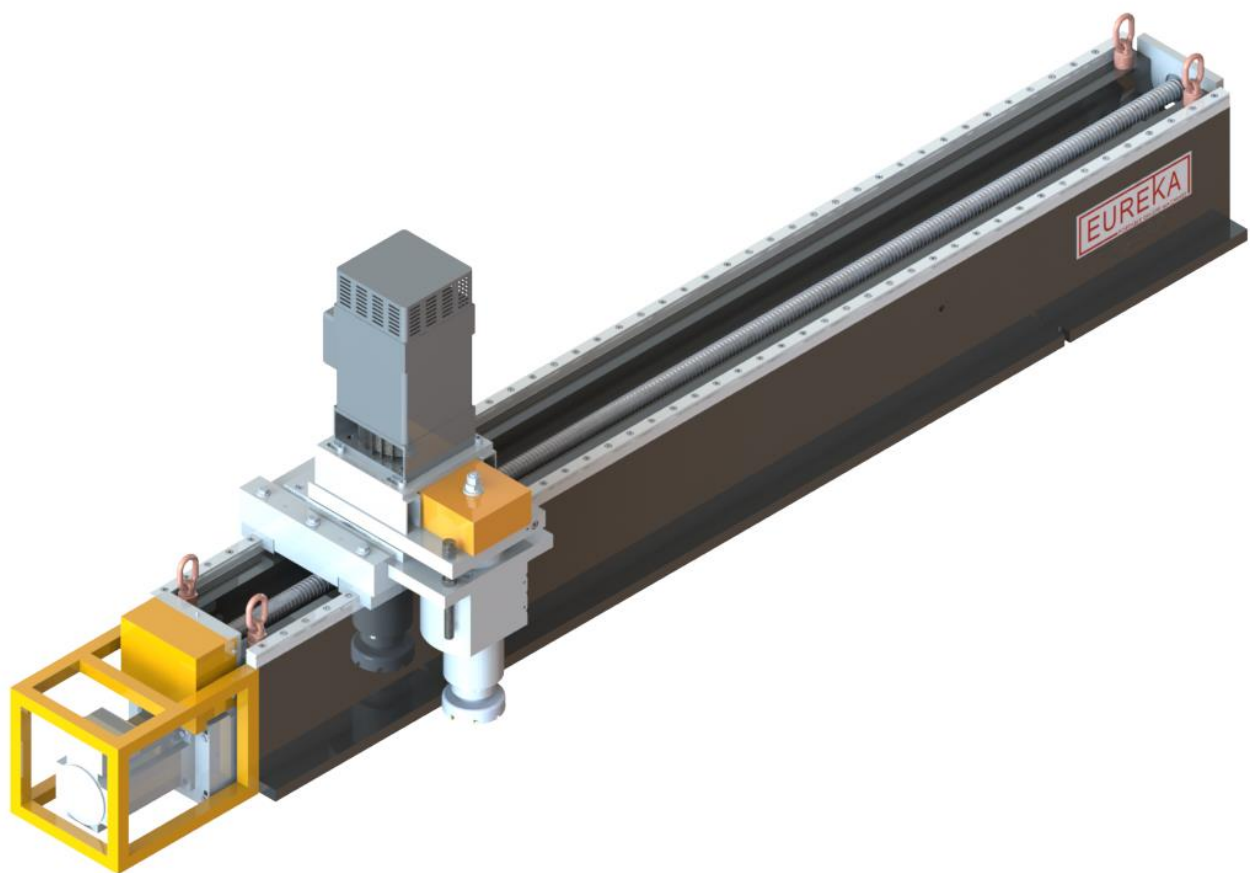


## FL2500 Portable Milling Machine

Solutions for on-site machining

Versatile, precise and powerful 3 axis portable milling machine for on-site applications. Designed and built for on-site machining of pumps, compressors, electric motors bases and surfaces on which flatness restoration is required.

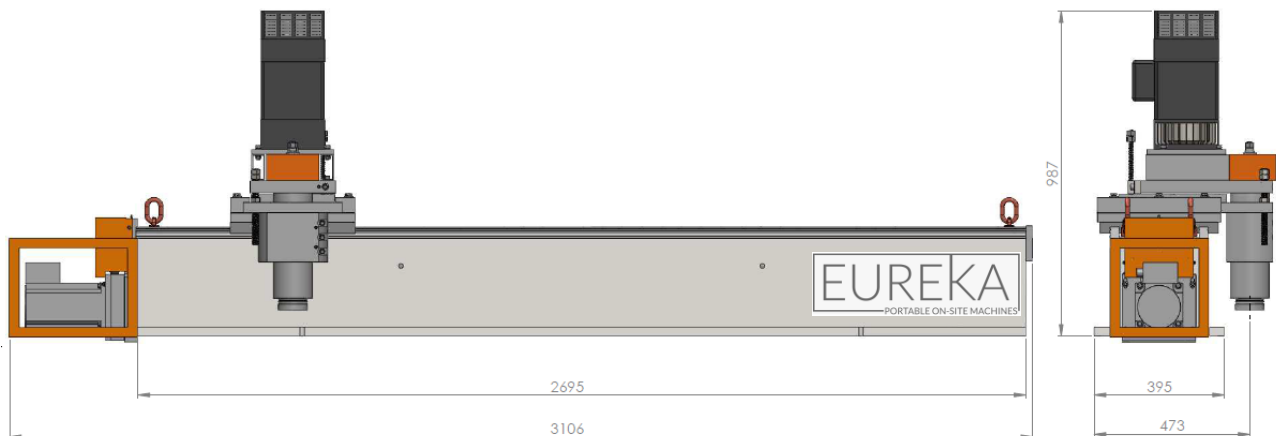


- ✓ Heavy duty roller guide
- ✓ Large diameter ball screw
- ✓ ISO50 DIN 2080 spindle
- ✓ Robust welded carbon steel structure
- ✓ Excellent rigidity

EUREKA FL2500 V.2020-03

Range		
Maximum longitudinal stroke	2280 mm	90"
Maximum trasversal stroke	200 mm	8"
Maximum vertical stroke	75 mm	3"
Maximum torque	650 N·m	479 Ft·lbs
Cutting feed rate	1÷1000 mm/min	0,33÷3,3 Ft/min
Rapid feed rate	10 m/min	32,8 Ft/min
RPM	Min: 20	Max: 2000
Weights and Dimensions		
Machine weight	1210 kg	2668 lbs
Machine dimensions	300x990x3060 mm	11,8x39,0x120,5 in
Power Supply & Motion Control Cabinet weight	220 kg	485 lbs
Power Supply & Motion Control Cabinet dimensions	500x1300x1100 mm	19,7x51,2x43,3 in
Shipping weight	1450 kg	3197 lbs
Shipping dimensions	800x1100x3100 mm	31,5x43,3x122,1 in
Power		
Europe	380 Volt, 3 phase, 50-60 Hz	
USA	480/400 Volt, 3 phase, 50-60 Hz	

EUREKA FL2500 V.2020-03



*The machine is supplied complete with toolkit, CE certificate, Packing List, Manual, Wooden shipping case.*