

SM400- Kiln Tyre Grinding Machine

Portable belt grinding machine for onsite kiln tyre restoration. Built for heavy duty applications at cement mills, chemical plants, steel mills, sugar plants and mining industry.

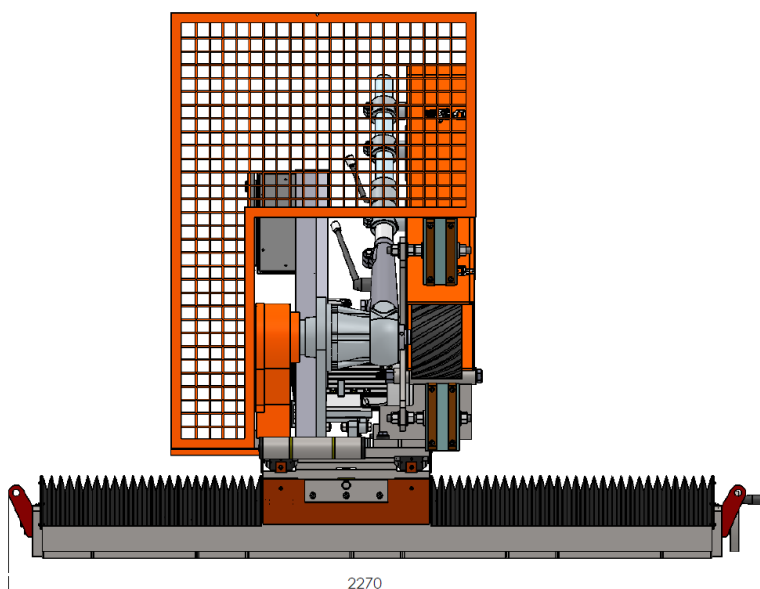
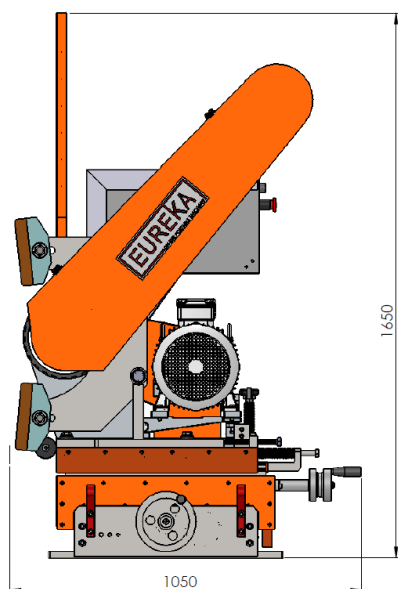


- ✓ Heavy load ball type linear guideways
- ✓ In-built system for circularity restoration of Kiln tyres
- ✓ Pneumatic cross feed control system
- ✓ Heavy duty welded carbon steel structure
- ✓ Excellent rigidity

EUREKA SM400 V.2020-05



Range		
Maximum cross stroke	1450 mm	57"
Belt dimensions	150x2500 mm	6x98 in
Contact wheel diameter	250 mm	10"
Rated motor power	8 kW	10.72 Hp
Cross feed rate	1 ÷ 100 mm/min	0.0032 ÷ 0.32 ft/min
Belt speed at contact	30 m/s	98 Ft/s
Kiln tyre maximum speed	25 m/min	82 Ft/min
Weights and Dimensions		
Machine weight	1210 kg	2667 lbs
Machine dimensions	2250x1150x1500 mm	88.6x42.3x59.1 in
Shipping weight	1600 kg	3527 lbs
Shipping dimensions	2300x1200x2000 mm	90.1x47.2x79.7 in
Power		
Europe	380 Volt, 3 phase, 50-60 Hz	
USA	480/400 Volt, 3 phase, 50-60 Hz	
Air Consumption @ 8 bar (116 psi)	1200 l/min (42 ft ³ /min)	



The machine is supplied complete with toolkit, CE certificate, Packing List, Manual, Wooden shipping case.

EUREKA SM400 V.2020-05