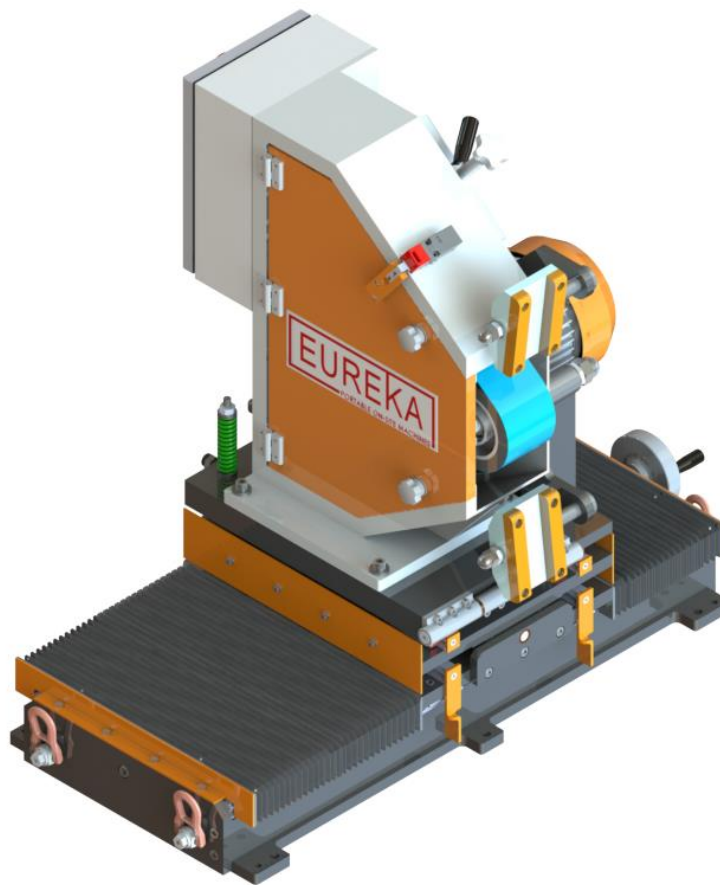


SM200 - Tyre Grinding Machine

Portable grinding machine for on-site tyre restoration of small rotary kilns, dryers, and coolers. Designed and manufactured for light applications at chemical plants, steel mills and sugar plants.

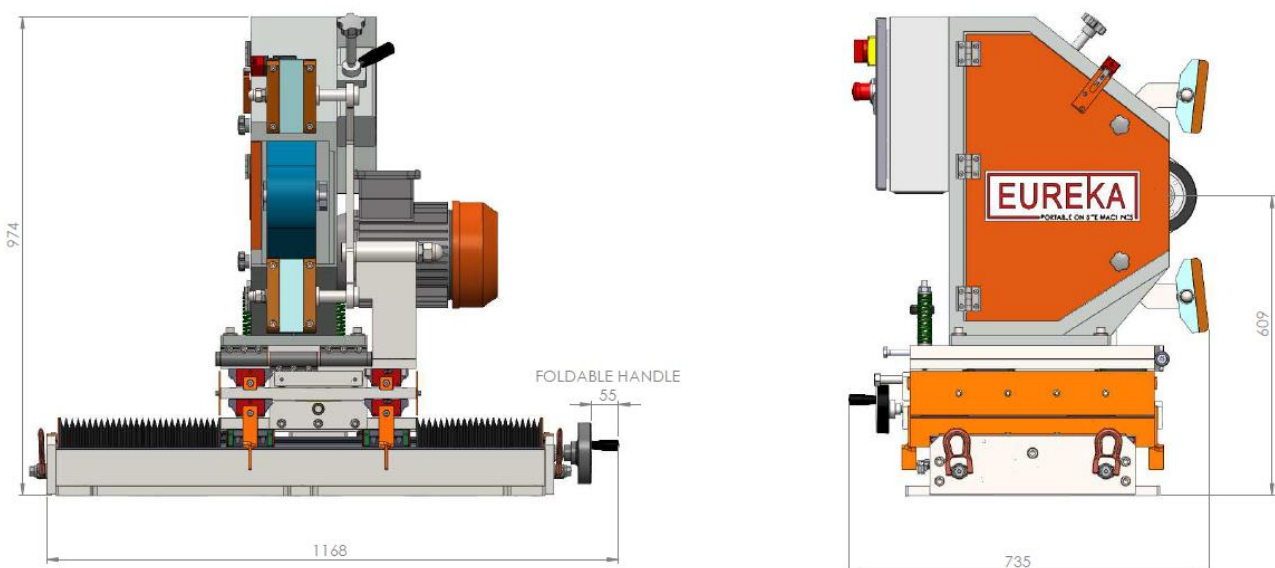


- ✓ Heavy load ball type linear guideways
- ✓ In-built system for circularity restoration of small Kiln tyres
- ✓ Pneumatic cross feed control system
- ✓ Heavy duty welded carbon steel structure
- ✓ Excellent rigidity

EUREKA SM200 V.2021-02



Range		
Maximum cross stroke	600 mm	23.6 in
Belt dimensions	100x1500 mm	3.94x59.1 in
Contact wheel diameter	150 mm	5.91 in
Rated motor power	4 kW	5.36 Hp
Belt speed	30 m/s	98.5 Ft/s
Kiln tyre maximum speed	50 m/min	164 Ft/min
Weights and Dimensions		
Machine weight	500 kg	1103 lbs
Machine dimensions	1168x735x974 mm	46x29x39 in
Shipping weight	600 kg	1322 lbs
Shipping dimensions	1370x890x1270 mm	54x35x50 in
Power		
Europe	380 Volt, 3 phase, 50-60 Hz	
USA	480/400 Volt, 3 phase, 50-60 Hz	



EUREKA SM200 V.2021-02

The machine is supplied complete with toolkit, CE certificate, Packing List, Manual, Wooden shipping case.